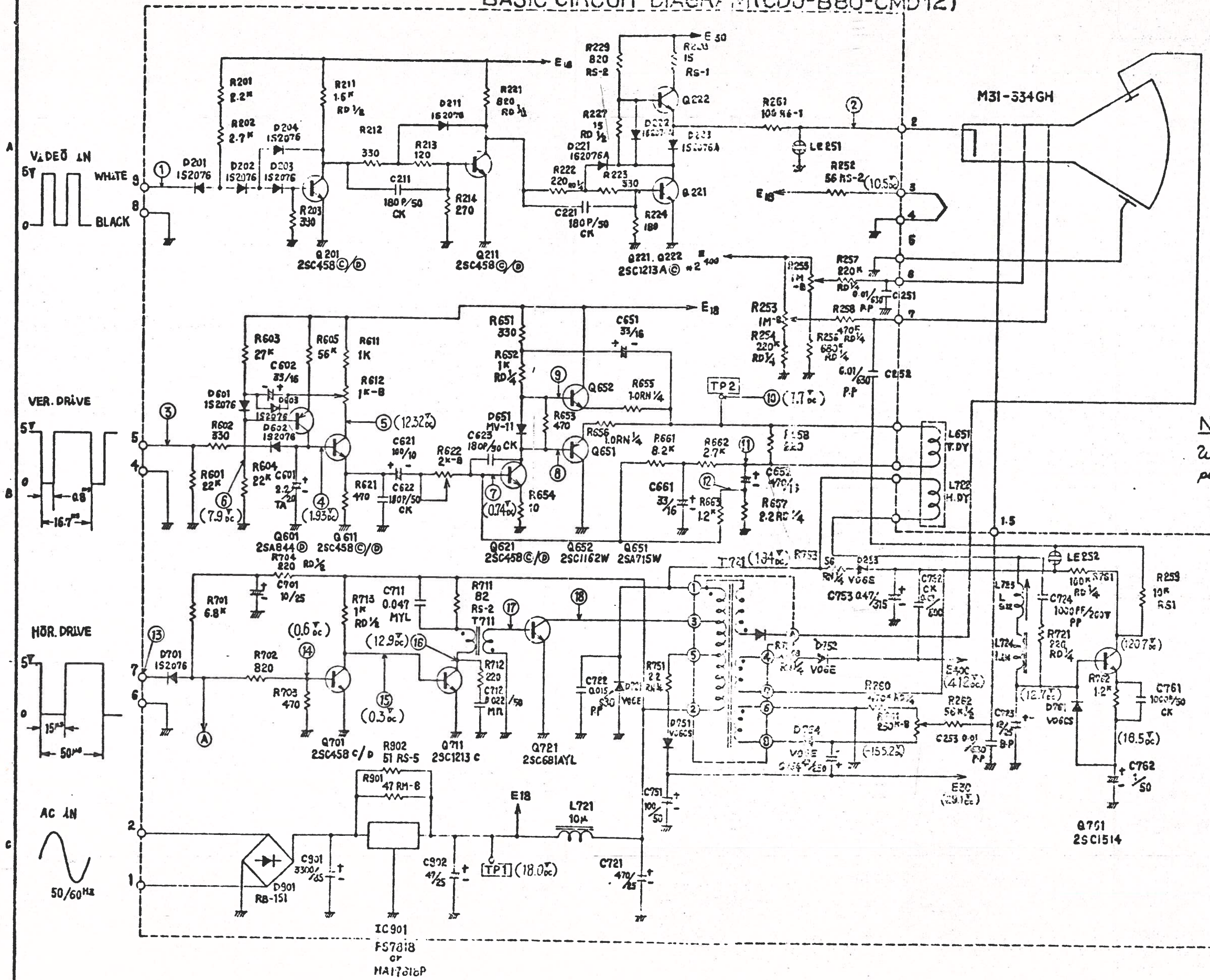


BASIC CIRCUIT DIAGRAM (CDU-B80-CMD12)

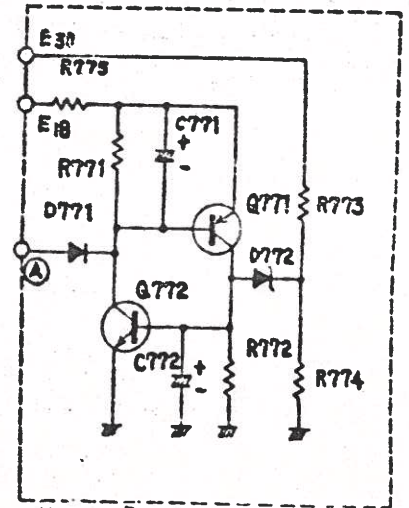


Commodore
PCB SCHEMATIC
12" CRT DISPLAY

SIZE **B** REV **321448**
 SCALE NONE SHEET **1** OF **1**

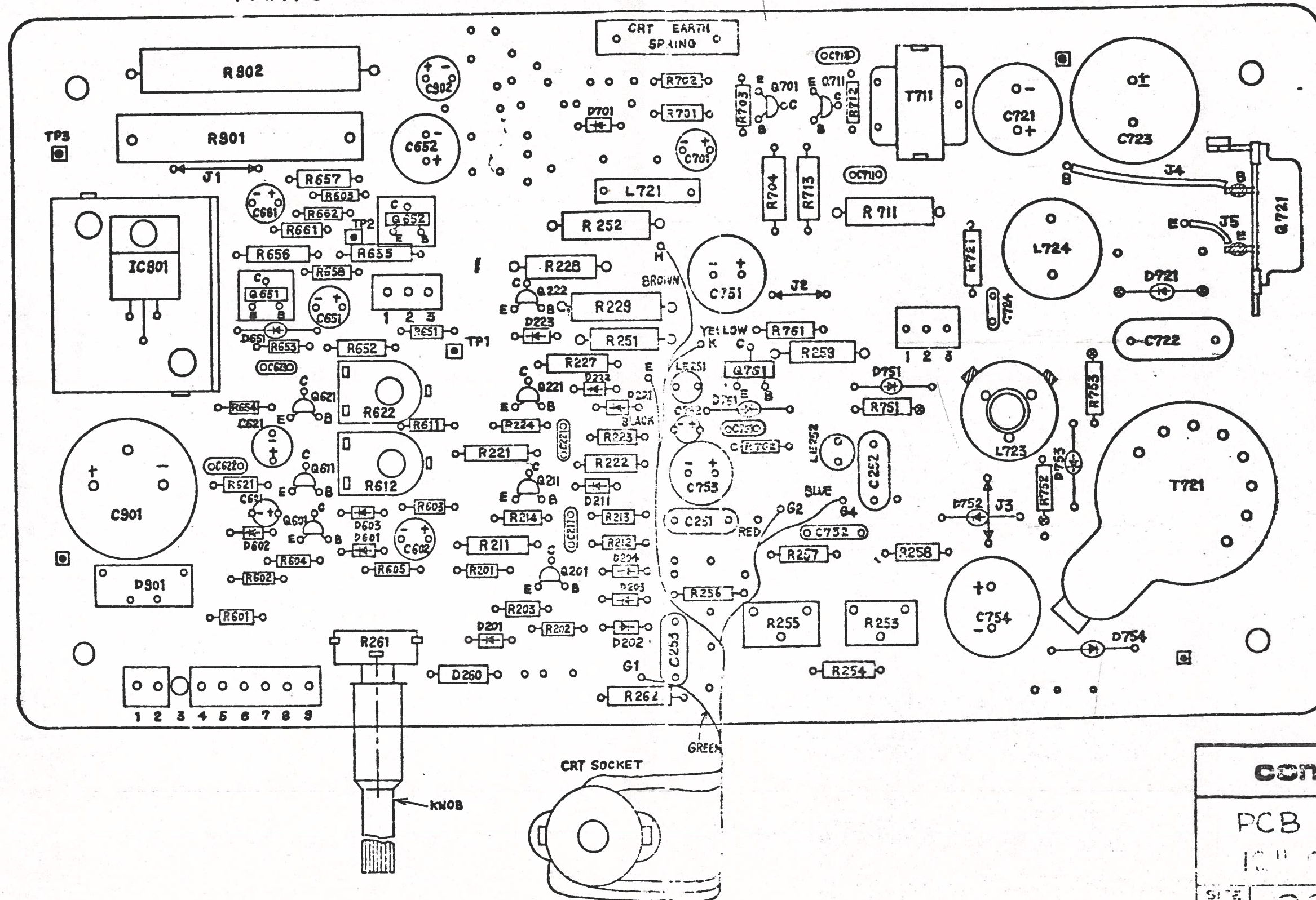
NOTES

Waveforms are measured at the points indicated with $\text{\textcircled{N}}$.



HIGH VOLTAGE HOLD DOWN
 CIRCUIT

PARTS ARRANGEMENT DIAGRAM



Commodore		
PCB ASSEMBLY 10" CRT DISPLAY		
SIZE B	321449	REV 4
SCALE	SHEET	OF