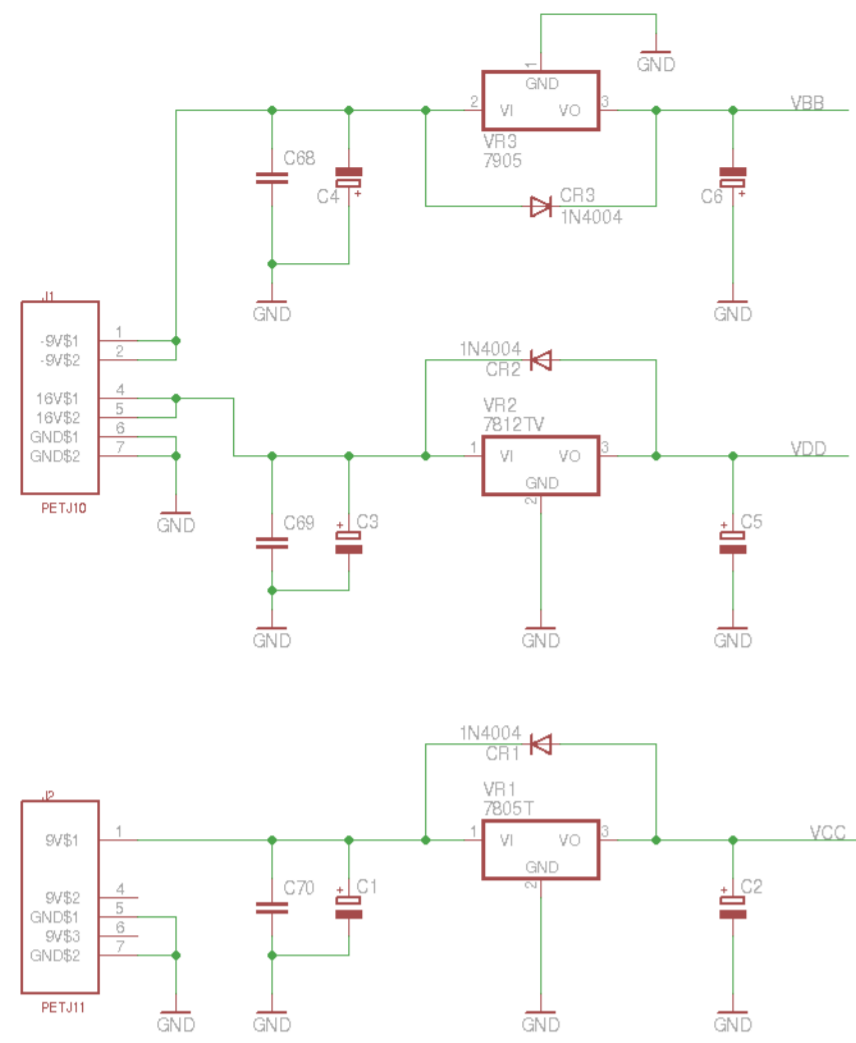
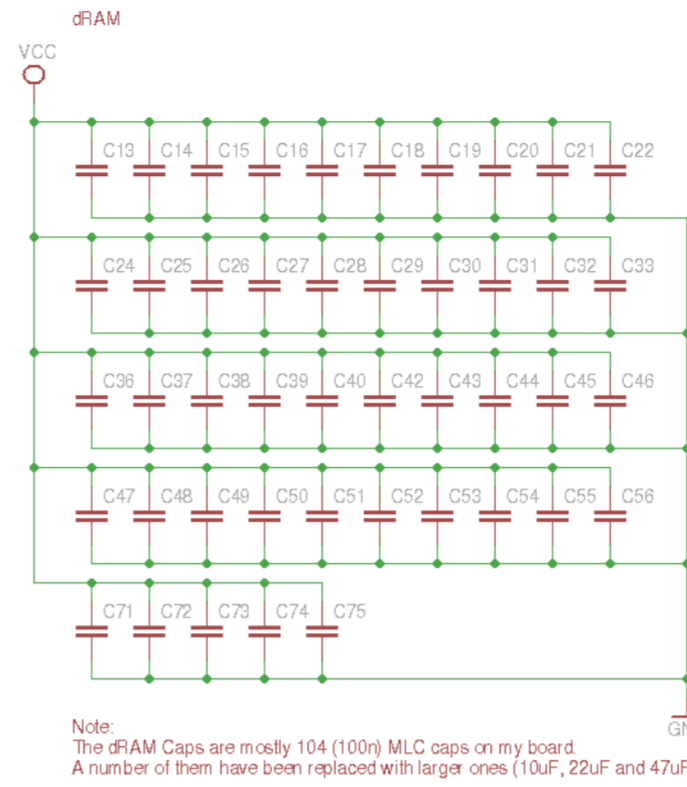
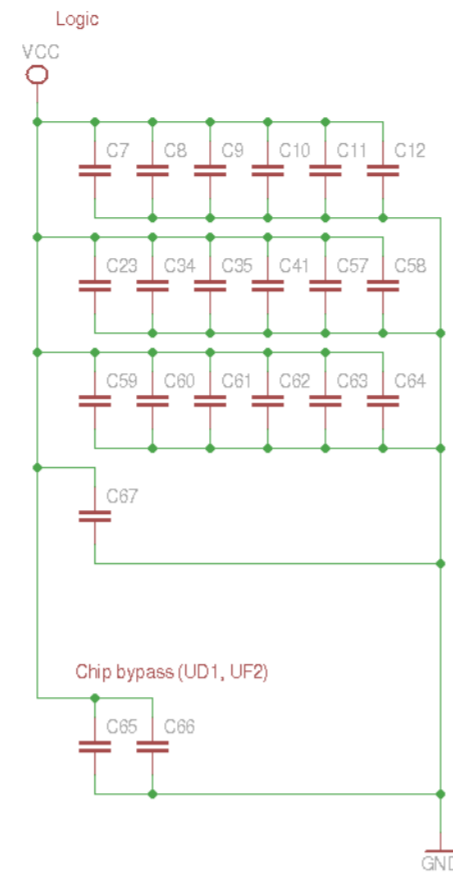


Power Supply



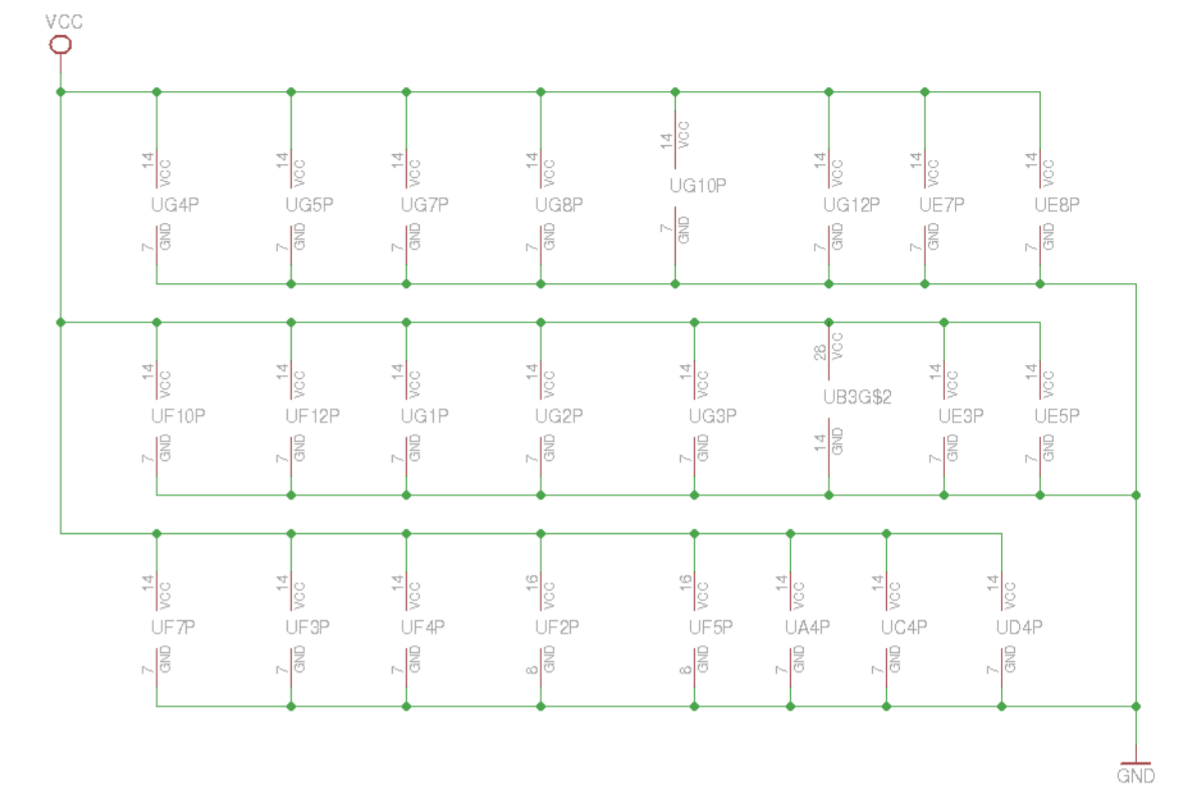
Note:
The 7805 is actually a TO-3, I just didn't have one in my parts library.
So I used a TO-220 instead.

Bypass Capacitors



Note:
The dRAM Caps are mostly 104 (100n) MLC caps on my board.
A number of them have been replaced with larger ones (10uF, 22uF and 47uF)

Chip Power



Unused Logic Gates

