The logo consists of the letters 'MOE' in a bold, stylized font. The 'M' is formed by three vertical bars of varying heights. The 'O' is a solid black circle. The 'E' is formed by three horizontal bars of varying lengths. Below the letters, the word 'MICROCOMPUTERS' is written in a bold, sans-serif font.

MOE
MICROCOMPUTERS

KIM HINTS

KIM HINTS

Since you and your KIM-1 are relative strangers, we'd like to help you get better acquainted. The material in this pamphlet will answer questions that are frequently asked by a new KIM-1 user.

ANSWERS TO POPULAR KIM SYSTEM QUESTIONS

1. IS IT POSSIBLE TO OUTPUT DIGITS OTHER THAN HEX TO THE 6 OUTPUT LED'S?

Since the 6502 is doing all segment decode and multiplex, it is possible to display data other than hex on a 7-segment readout. A pseudo alphabet has been developed and is displayed in the 7-segment display of the KIM in a scrolling manner.

2. WHEN HANDLING THE BOARD, WOULD THE STATIC HAZARD BE RELIEVED IF ALL EDGE CONNECTORS WERE SHORTED TOGETHER?

The static problems are not as serious once the devices are installed in the P.C. board. Just be sure to use grounded tools and to discharge yourself to ground before touching KIM or the connected circuits.

3. WHAT TYPE OF LED READOUT IS USED ON KIM-1 FOR U18, etc? GENERAL COMMON ANODE OR CATHODE?

USE MAN-72 Type displays, available from many manufacturers. General common anodes should work, although you may find intensity differences between them.

4. WHERE CAN I GET MORE 44-PIN EDGE CONNECTORS FOR KIM?

The connector is a standard part — you can order a Vector No. R644 from most electronic supply houses. The connector is also carried by most Radio Shack stores as Part No. 276-548.

5. ARE THERE ANY INTERFACES OR PROM PROGRAMMERS AVAILABLE WITH KIM TO PROGRAM EPROMs OR TO DUPLICATE PROMs?

No, not yet.

6. IS THERE AN I/O EXPANSION BOARD AVAILABLE?

Not yet . . . soon, we hope.

7. IS THERE A BOARD AVAILABLE TO MAKE USE OF MEMORY ADDRESSES 0400-13FF?

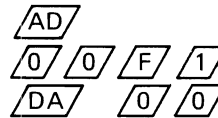
Check the "Kilobaud" article (issue #4, April 1, 1977, page 74) entitled "KIM Memory Expansion."

8. HOW DO I SET UP MY KIM FOR AUDIO CASSETTE RECORDING AND PLAYBACK?

A number of KIM-1 customers have reported difficulty in achieving correct results for the sample problem shown in Sec. 2.4 of the KIM-1 User Manual. In addition, some customers have experienced problems in recording or playback of audio cassettes. (Sec. 2.5 of the KIM-1 User Manual). In all cases, the problems have been traced to a single cause: the inadvertent setting of the DECIMAL MODE.

The 6502 Microprocessor Array used in the KIM-1 system is capable of operating in either binary or decimal arithmetic mode. The programmer must be certain that the mode is selected correctly for the program to be executed. Since the system may be in either mode after initial power-on, a specific action is required to insure the selection of the correct mode.

Specifically, the results predicted for the sample problem (Sec. 2.4) are based on the assumption that the system is operating in the *binary* arithmetic mode. To insure that this is the case, insert the following key sequence prior to the key operations shown at the bottom of Page 11 of the KIM-1 User Manual.



This sequence resets the decimal mode flag in the Status Register prior to the execution of the sample program.

The same key sequence may be inserted prior to the key operations shown on pages 14 and 15 for audio cassette recording and playback. These operations will not be performed correctly if the decimal mode is in effect.

In general, whenever a program is to be executed in response to the GO key, the programmer should insure that the correct arithmetic mode has been set in the status register (00F1) prior to program execution.

9. HOW DO I SOLVE AUDIO CASSETTE INTERFACE PROBLEMS?

A. Insure that memory location 00F1 has been set to a value of 00 before recording or playing back the tape. This is the source of 90% of all cassette problems.

B. Mis-adjustment of the variable resistor (VR1) in the cassette circuitry is almost *never* a problem. Any setting near the center of its rotation will work fine.

C. Make sure that +12V is connected during playback.
NOTE: +12V is not required for recording, so a lack of +12V will result in good recording but no playback.

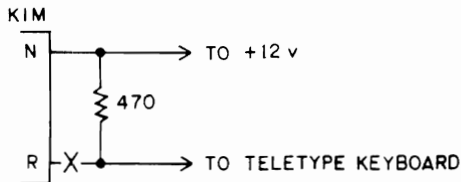
D. If the display frequently relights showing FFFF, the fault is probably in the tape unit itself – not the KIM. Using poor quality cassettes is usually to blame. Some cassette recorders have such poor power filtering circuits that they will work fine on batteries, but will not work with an AC adapter because of hum induced during record or playback. Tapes should always be rewound before removal from the machine, as a fingerprint on the tape will result in errors on playback.

E. Make sure that only a single ground line is run from the KIM ground to the barrel of the microphone input of the cassette recorder. Leave the barrel of the earphone output ungrounded. The shield around the line to the earphone should be attached to ground on KIM.

F. Problems of playing a tape recorded on one KIM system back on another system or a different cassette player can usually be solved by adjusting the head adjustment screw on the new cassette recorder. Playback a cassette recorded on the old deck on the new machine and adjust the head screw on the new machine for maximum volume. This adjustment is especially critical when using the SuperTape program.

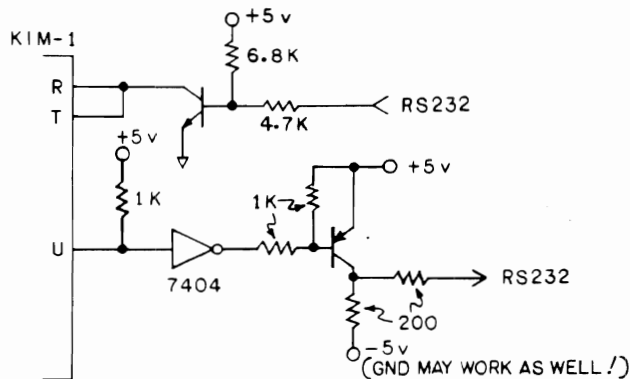
10. HOW DO I SOLVE TELETYPE PROBLEMS?

A. The most common problem is that the system does not respond to a reset-rubout sequence with a model 33 Teletype. This can be fixed by removing the wire connected to pin R on the KIM application connector, connecting a 470 ohm resistor to that wire, and connecting the other end of the resistor to the +12V supply at pin N.



B. No information is available on connecting other Teletype models (14, 28, 32) to KIM.

C. Schematics for interfacing KIM to an RS232C port are in the April, 1976 "Byte" magazine and in the first issue of the KIM user notes. (Reproduced below):



D. Other common sources of Teletype problems are a short circuit in C5 or a burned-out Q7. Signal tracing with a 'scope should reveal these problems.

11. HOW DO I SOLVE PAPER TAPE PROBLEMS?

A. KIM-1's having a date code in 1975 on the 6502 will not read paper tape correctly. These CPU's will be replaced by MOS without charge. Tom Pittman's TINY BASIC will not work on these machines either. The problem occurs because early versions of the processor did not set the zero flag correctly on TXA, TYA, TAX, or TAY instructions.

B. When using a Texas Instruments Silent 700 data terminal equipped with digital cassettes or other higher-speed paper tape devices, a Q (paper tape dump) may be performed at any speed acceptable to the data terminal, but playback (through the L command) must be at 10 cps.

12. WHAT DO I DO ABOUT OTHER PROBLEMS?

A. If the RESET on KIM causes only a single digit or segment to light on the display, the KIM must be returned for repair.

B. When in doubt, check all power supply voltages on the KIM board, not at the power supply terminals.

C. When software works strangely or erratically, decimal/binary mode problems may be involved.

D. There is an error in the KIM Resident Assembler manual regarding the addresses for the symbol table vectors. The vector locations are DF, E0, E1, E2. The text is incorrect, the example is correct.

E. Problems with KIM-2/3's which fail the memory test program can almost always be traced to excessive cable length between the KIM-1 and the KIM-2/3. Any cable should be 6' in length or less.

13. WHAT ARE THE KIM SYSTEM POWER SUPPLY REQUIREMENTS?

KIM 1 – Microcomputer Board:

Recommended: 1.2A +5V ±5%
100 mA +12V ±5%

The actual power measured ranges 700 mA to 1A at +5V and the schematic indicating 3A at transformer is incorrect.

KIM 3A – 8K RAM Memory Board:

Recommended: +5V, 3A

Average consumption calculated is about 2.4A.

Board has +5V regulator accepting unregulated +8 to +10V DC.

KIM 4 – Mother Board:

Consumption about 200mA. Board has +5V regulator accepting unregulated +8 to +10V DC and +12V regulator accepting unregulated +15V DC to support both KIM1 and KIM 4. KIM 4 has 6 slots for memory expansion with KIM2 and KIM3 and hence a total power supply requirement is a cumulative value dependent on KIM-System configuration.

14. WHAT SOFTWARE IS AVAILABLE?

The following software is available for use with the KIM-1 and/or other 6502-based systems:

1. Tiny BASIC – runs in 2K. \$5 for paper tape from:
Tom Pittman
Box 23189
San Jose, California 95153
2. Many games and other information in the KIM-1
User Group Newsletter, \$5 for 6 issues:
Eric Rehnke
109 Centre Avenue
W. Norriton, PA 19401
3. An excellent Chess playing program which runs
in 1K. \$10
MICRO CHESS
27 Firstbroke Rd.
Toronto, CANADA M 4E 2L2
4. A good group of games plus an intermediate-level
language called PLEASE for KIM-1 – \$15 from:
THE COMPUTERIST
Post Office Box 3
S. Chelmsford, MA 01824
5. The 6502 Program Exchange
2920 Moana
Reno, NV 89509
6. Micro Software Specialists
2024 Washington Street
Commerce, TX 75428
7. KIMATH, a complete floating-point math package in-
cluding both source and object code is available from
MOS Technology for \$15.
8. A 4K version of FOCAL, a BASIC-like interpreter, and
a 6K Resident assemble/text Editor, both with source
listings and object code on KIM cassette or paper tape
are available from:
ARESCO
314 Second Ave.
Haddon Heights, NJ 08035
The FOCAL is \$50 and the assembler/Editor is \$70.
A complete information package is \$2.
9. An 8K version of BASIC for KIM is available for \$99
from:
Johnson Computing
123 W. Washington St.
Medina, Ohio 44256
(215) 725-4568
10. "FIRST BOOK OF KIM" is a collection of games,
utility programs, hints and kinks, etc. (180 pgs).
\$3.00 plus 50¢ postage from:
ORB
P.O. Box 311
Argonne, ILL 60439

INTERVAL TIMER OPERATION

1. OPERATION

a. Loading the timer

The divide rate and interrupt option enable/disable are pro-
grammed by decoding the least significant address bits.

KIM SUBROUTINES:

CALL	ADDRESS	ACTION	ARG.	RESULT	NOTES
JSR AK	1EFE	Check for key depressed	—	A	A = 0 = Key down A ≠ 0 = No Key down X & Y lost
JSR GETKEY	1F6A	Get key from keyboard	—	A	A > 15 illegal or no key
JSR SCANS	1F1F	Display F9, FA, FB	F9, FA FB	—	A, X, Y are lost
JSR GETCH	1E5A	Put character from TTY in A	—	A	X preserved Y = FF
JSR PRTBYT	1E3B	Prints A as 2 Hex Char.	A	—	A preserved X preserved Y = FF
JSR PRTPNT	1E1E	Prints Contents of FB & FA on TTY	FB, FA	—	A lost X preserved Y = FF
JSR OUTCH	1EA0	Print ASCII char in A on TTY	A	—	X is preserved Y = FF A = FF
JSR OUTSP	1E9E	Print a space	—	—	A = FF X preserved Y = FF

The starting count for the timer is determined by the value written to that address.

Writing to Address	Sets Divide Ratio To	Interrupt Capability Is
1704	1	Disabled
1705	8	Disabled
1706	64	Disabled
1707	1024	Disabled
170C	1	Enabled
170D	8	Enabled
170E	64	Enabled
170F	1024	Enabled

b. Determining the timer status

After timing has begun, reading address location 1707 will provide the timer status. If the counter has passed the count of zero, bit 7 will be set to 1, otherwise, bit 7 (and all other bits in location 1707) will be zero. This allows a program to "watch" location 1707 and determine when the timer has timed out. Note that reading 1707 provides an entirely different function from writing the same location.

c. Reading the count in the timer

If the timer has not counted past zero, reading location 1706 will provide the current timer count and disable the interrupt option; reading location 170E will provide the current timer count and enable the interrupt option. Thus the interrupt option can be changed while the timer is counting down. Note that you read 1706 or 170E regardless of which location (1704-0F) was written to start the timer.

If the timer has counted past zero, reading either memory location 1706 or 170E will restore the divide ratio to its previously programmed value, disable the interrupt option and leave the timer with its current count.

d. Using the interrupt option

In order to use the interrupt option described above, line PB7 (application connector, pin 15) should be connected to either the \overline{IRQ} (Expansion Connector, pin 4) or \overline{NMI} (Expansion Connector, pin 6) pin depending on the desired interrupt function. PB7 should be programmed as an *input* line (it's normal state after a RESET).

NOTE

If the programmer desires to use PB7 as a normal I/O line, the programmer is responsible for disabling the timer interrupt option (by writing or reading address 1706) so that it does not interfere with normal operation of PB7. Also, PB7 was designed to be wire-ORed with other possible interrupt sources; if this is not desired, a 5.1K resistor should be used as a pull-up from PB7 to +5v. (The pull-up should NOT be used if PB7 is connected to NMI or IRQ.)

2. CAPABILITIES

The KIM Interval Timer allows the user to specify a preset count and a clock divide rate by writing to a memory location. As soon as the write occurs, counting at the specified rate begins. The timer counts down at the clock frequency divided by the divide rate. The current timer count may be read at any time. At the user's option the timer may be programmed to generate an interrupt when the counter counts down past zero. When a count of zero is passed, the divide rate is automatically set to 1 and the counter continues to count down at the clock rate starting at a count of FF (-1 in two's complement arithmetic). This allows the user to determine how many clock cycles have passed since the timer reached a count of zero. Since the counter never stops, continued counting down will reach 00 again then FF, and the count will continue.

3. INTERVAL TIMER AND KEYBOARD OPERATION

The following three programs show the use of the interval timer, keyboard and seven segment displays in user programs.

The first program loads a value of 50 in the timer and waits for it to time out, repeats the process and then increments the count in the display register (00FA and 00FB) and calls the display subroutine SCANS. The process then repeats.

The second program performs the same function as the first, but uses the timer to provide interrupts, rather than watching the timer status register (1707). Thus this program is constantly cycling through the display program SCANS except when the timer generates an interrupt. When an interrupt occurs the interrupt service routine (starting at location 010C) resets the timer, increments the display register and returns to the display program. Note that the LED display is brighter when using this program because most of the computer's time is spent displaying rather than watching the timer.

The third example program demonstrates the use of the keyboard and display. Any key depressed will appear in the rightmost digit of the display and will be shifted to the left with each successive keyboard entry.

Notice that the SCANS routine not only displays the contents of 00F9, 00FA and 00FB but also returns with the Z flag set to 0 if a key is currently depressed. The GET-KEY routine is then called to determine which key has been depressed. Since the SCANS subroutine takes several milliseconds, a call to this routine can be used to "waste time" and let any keybounce stop.

INTERVAL TIMER

LOC CODE DEFINITION OF COMMONLY USED LOCATIONS

DA	=\$1700	DATA REG A
DDA	=\$1701	DATA DIREC REG A
DB	=\$1702	DATA REG B
DDB	=\$1703	DATA DIREC REG B

TIMERS (WRITE TIME TO)

C1D	=\$1704	DIV BY 1	DISABLE INT
C8D	=\$1705	DIV BY 8	DISABLE INT
C64D	=\$1706	DIV BY 64	DISABLE INT
C1024D	=\$1707	DIV BY 1024	DISABLE INT
C1E	=\$170C	DIV BY 1	ENABLE INT
C8E	=\$170D	DIV BY 8	ENABLE INT
C64E	=\$170E	DIV BY 64	ENABLE INT
C1024E	=\$170F	DIV BY 1024	ENABLE INT
TRD	=\$1706	READ TIME	DISABLE INT
SR	=\$1707	READ INT STAT	
TRE	=\$170E	READ TIME	ENABLE INT

WHEN THE INTERRUPT STATUS IS READ THE INTERRUPT IS NEITHER DISABLED OR ENABLED. BIT 7 IS A ONE IF TIME OUT HAS OCCURRED. BIT 7 IS ZERO IF TIME OUT HAS NOT OCCURRED. BITS 0-6 ARE ALL ZERO

WHEN THE TIMER TIMES OUT THE DIVIDER IS SET TO A DIV BY ONE AND THE TIMER CONTINUES TO COUNT AT CLOCK RATE

WHEN THE TIMER IS READ THE DIVIDER IS RESTORED TO ITS ORIGINAL VALUE AND THE INTERRUPT IS RESET

SCANS	=\$1F1F	EXTERNAL SUBROUTINES
INCPT	=\$1F63	
GETKEY	=\$1F6A	

TO USE INTERRUPT PB7 MUST BE
EXTERNALLY WIRED TO IRQ

Program 1

THIS EXAMPLE DOES NOT USE
INTERRUPTS – THE DISPLAY WILL
DIM AS A RESULT OF SLOW SCANNING

		COUNT	=2	COUNT DOWN 2 TIMES
		DELAY	=50	EACH DELAY 50 CYCLES
0000			*=\$0000	ORG AT 0
0000	A2 02	START1	LDX =COUNT	
0002	A9 32		LDA =DELAY	
0004	8D 06 17	AGAIN	STA C64D	DIV BY 64 DISABLE INT
0007	2C 07 17	WAIT	BIT SR	READ STATUS DISABLE INT
000A	10 FB		BPL WAIT	BIT 7 = 1 TIME OUT COMPLETE
000C	CA		DEX	
000D	D0 F5		BNE AGAIN	LOOP ON COUNT
000F	20 63 1F		JSR INCPT	MONITOR UTIL INC FA,FB
0012	20 1F 1F		JSR SCANS	MONITOR UTIL DISP F9,FA,FB
0015	4C 00 00		JMP START1	

INTERVAL TIMER (Continued)

CARD = LOC CODE

CARD

Program 2

THIS EXAMPLE USES INT
WIRE PB7 TO IRQ EXTERNALLY

0018			*=\$0100	ORG AT HEX 100
0100	58	START 2	CLI	CLEAR INT MASK
0101	A9 FF		LDA =\$FF	
0103	8D 0F 17		STA C1024E	THIS ENABLES TMR INT FIRST TIME
0106	20 1F 1F	DISP	JSR SCANS	THIS IS AN ENDLESS LOOP THAT
0109	4C 06 01		JMP DISP	DISPLAYS CONTENTS OF F9,FA,FB

INTERRUPT SERVICE ROUTINE

010C	A9 FF	INTSVC	LDA =\$FF	SET DISPLAY TO 255 CPS PR INT
010E	8D 0F 17		STA C1024F	
0111	20 63 1F		JSR INCPT	
0114	40		RTI	
0115			*=\$17FE	ORG AT IRQ VECTOR
17FE	0C 01	IRQT	.WORD INTSVC	SET = TO INT SERVICE RTN

Program 3

THIS EXAMPLE DESCRIBES USE OF
KEYBOARD AND DISPLAY

1800			*=\$0200	
		INH	=\$F9	LSD'S
		PTL	=\$FA	THESE 3 BYTES ARE DISPLAY BVF
		PTH	=\$FB	MSD'S
0200	58	START 3	CLI	
0201	D8		CLD	
0202	20 1F 1F		JSR SCANS	IF KEY IS DEPRESSED WAIT FOR
0205	D0 F9		BNE START3	ITS RELEASE
0207	20 1F 1F	DISP1	JSR SCANS	WAIT FOR KEY DEPRESSED
020A	F0 FB		BEQ DISP1	WHEN DEPRESSED GO TO VALIDATION
020C	20 1F 1F	VALIDT	JSR SCANS	THIS USED AS DEBOUNCE
020F	20 6A 1F		JSR GETKEY	MONITOR UTIL WHICH GETS KEY VAL
0212	C9 15		CMP =\$15	IF MPU IN DEC MODE THEN GET KEY
0214	10 EA		BPL START3	GETS DECIMAL VALUE A=10
0216	2A		ROL A	LEFT JUSTIFY KEY VALUE
0217	2A		ROL A	
0218	2A		ROL A	
0219	2A		ROL A	
021A	A0 04		LDY =4	SET UP LOOP COUNT=4
021C	2A	V1	ROL A	
021D	26 F9		ROL INH	SHIFT ALL DIGITS 1 PLACE LEFT
021F	26 FA		ROL PTL	
0221	26 FB		ROL PTH	
0223	88		DEY	
0224	D0 F6		BNE V1	DO THIS ONE BIT AT A TIME
0226	4C 00 02		JMP START3	FOR 4 BITS
			.END	

END OF MOS/TECHNOLOGY 650X ASSEMBLY VERSION 4
NUMBER OF ERRORS = 0, NUMBER OF WARNINGS = 0